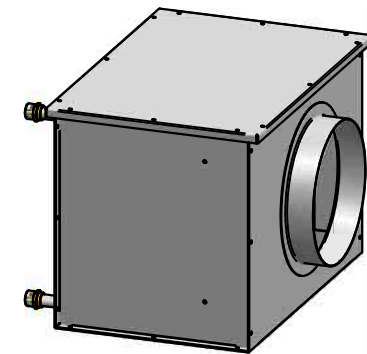
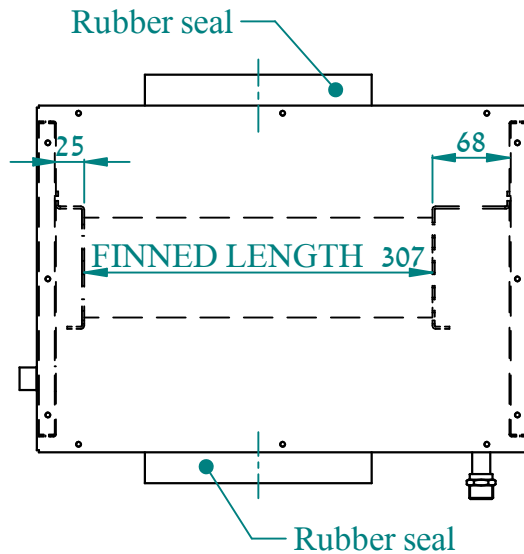


The Circuits



REVISED-New box design

Fin: ALUMINIUM, 0.12 mm , CORRUGATED
 Tubes: COPPER, 0.012''
 End Plates: ALUMINIUM, 2mm
 Cover Plates: GALVANIZED, 1mm

TOLERANCE UNLESS SPECIFIED

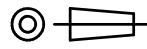
LINEAR DIMENSIONS	ANGULAR	FINS DENSITY
UP TO 400 mm - ±2	OVER 400 - ISO 2768-C	±4 ° ±4 %

NO.	DATE	BY
C	23-08-2013	Tomasz
B	01-03-2013	Tomasz
REVISIONS		

 **BOX_K_Ø200**

tt coil as

Description: **9/4x12x307/12-4 (0)**
 Cat. No. **809 - TJ402**

date	by	proj	scale
07/01/2014	tomasz		
		Dr/Nr	rev
		TJ402	[