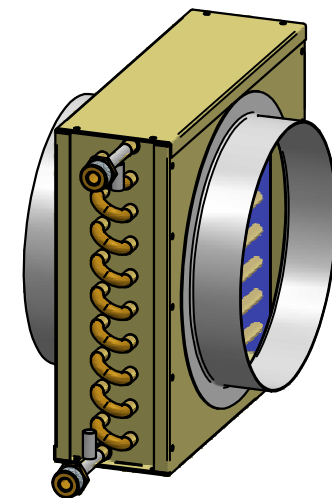
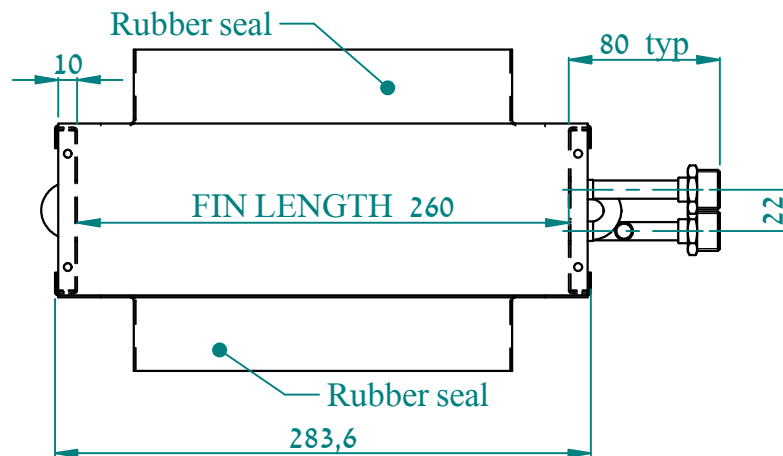
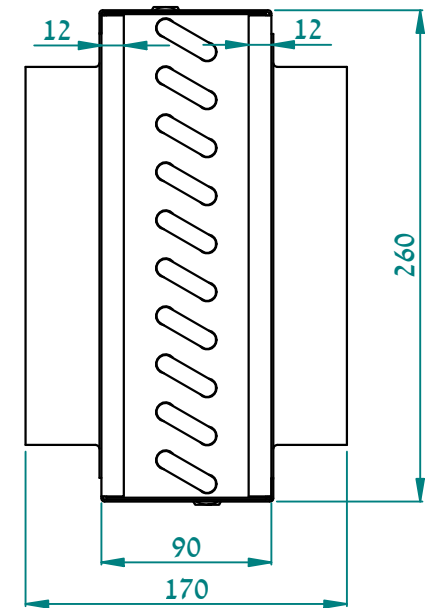
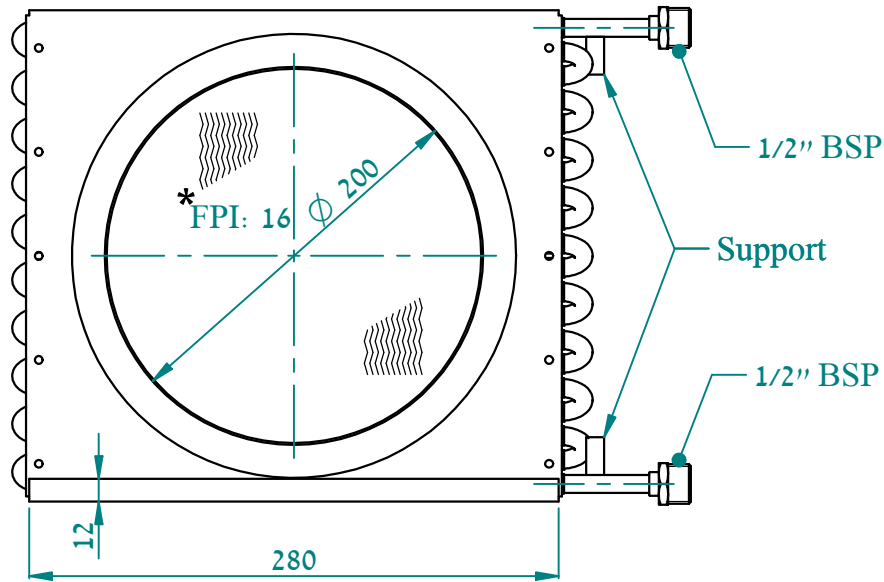


The Circuits



* REVISED

Holes should be sealed to avoid air leakage
 Fin: ALUMINIUM, 0.12 mm , CORRUGATED
 Tubes: COPPER, 0.012"
 End Plates: GALVANIZED, 1mm
 T/B Plates: GALVANIZED, 1mm

TOLERANCE UNLESS SPECIFIED

LINEAR DIMENSIONS	ANGULAR	FINS DENSITY
UP TO 400 mm - ±2	OVER 400 - ISO 2768-C	±4° ±4 %

C	27/05/2015	David
B	17/03/2014	tomasz
NO:	DATE	BY
REVISIONS		



BOX_V_Ø200

Customer TT Coils Denmark
 Model No. D-200

Description: 9/2x10x260/16*1 (0)
 Cat. No. 809 - TJ219

COR

design	date	by	proj	scale
draw	26/03/2014	tomasz	Dr/Nr	rev
check			TJ219	[
app.				